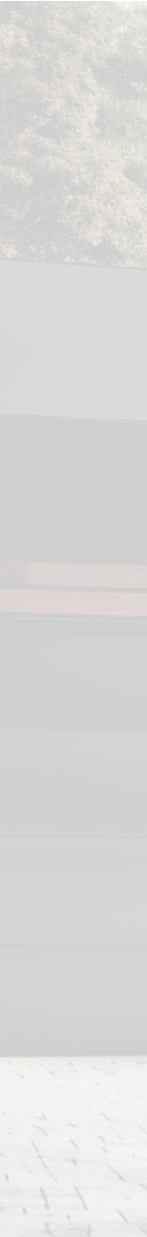




Sectional Door Price List | 2024





*Obsessively Designed
Exclusively Available
Luxury Redefined!*

Providing the UK with quality, service and reliability for over 20 years. JDUK Door Systems are a market leading specialist in garage doors.

We have built a strong reputation centered firmly on our customers, which is the envy of our competition and the pride of our people.

Our vision is clear and we keep it simple. To offer the best, we seek out quality tested and technologically engineered garage doors and bring them to the UK market.

In creating this availability at the right price, we firmly believe that our products and service will enhance any building project and provide that perfect finishing touch to your dream home.

Contents

L, M, & S Ribbed Woodgrain	4
Georgian Woodgrain	5
Microwave Smooth	6
L, M, S, & T Ribbed Smooth	7
L Ribbed Design Texture	8
Colour Options	9
Wicket Door Options	10
L, M, S Ribbed Woodgrain Wicket Door	12
Microwave Smooth Wicket Door	13
L, M, S, & T Ribbed Smooth Wicket Door	14
L Ribbed Design Texture Wicket Door	15
Glazing & Ventilation	16
Optional Upgrades	18
Select-Line Automation	20
High-Line Automation	21
Technical - JDST100 Side Extension	22
Technical - JDRM100 Rear Mount Torsion	23
Technical - JDFM200 Front Mount Torsion	24
Technical - Aluminium Mounting Frame	25
Warranty Terms	26

Premier-Line

The New Garage Door Standard

Woodgrain Texture L, M & S Ribbed

JDST100 - Side Tensions Springs

JDFM200 - Front Mount Springs

JDRM100 Rear Mount - Please Add £96

	Finish	2080 6'10"	2134 7'0"	2285 7'6"	2435 8'0"	2591 8'6"	2743 9'0"	3048 10'0"	3353 11'0"	3657 12'0"	3962 13'0"	4267 14'0"	4420 14'6"	4572 15'0"	4724 15'6"	4877 16'0"	5182 17'0"	5486 18'0"	5791 19'0"	6000 19'7"
2000	Traffic White	1279	1287	1302	1328	1391	1421	1525	1667	1789	1927	2033	2134	2205	2310	2341	2457	2722	3095	3324
	Standard RAL	1472	1482	1498	1527	1600	1633	1752	1915	2054	2211	2333	2445	2528	2647	2684	2816	3115	3537	3795
2125	Traffic White	1287	1293	1318	1342	1405	1440	1600	1740	1862	1990	2085	2181	2260	2361	2404	2553	2764	3166	3405
	Standard RAL	1482	1487	1517	1545	1615	1657	1838	1998	2138	2282	2390	2500	2591	2705	2755	2926	3165	3617	3889
2250	Traffic White	1308	1316	1326	1362	1431	1474	1673	1840	1959	2041	2205	2297	2355	2445	2508	2692	3070	3351	3531
	Standard RAL	1505	1515	1526	1567	1645	1695	1921	2112	2248	2341	2528	2633	2700	2800	2873	3082	3505	3828	4031
2350	Traffic White	1366	1373	1431	1456	1501	1561	1769	1927	2053	2195	2335	2432	2520	2636	2684	3097	3180	3546	3653
	Standard RAL	1570	1578	1645	1675	1726	1793	2032	2211	2354	2516	2676	2786	2887	3021	3074	3537	3633	4049	4171
2500	Traffic White	1446	1460	1500	1551	1637	1699	1907	2067	2181	2325	2428	2554	2646	2763	2944	3354	3446	3779	3947
	Standard RAL	1663	1677	1752	1815	1898	1970	2189	2370	2500	2664	2796	2946	3052	3182	3385	3830	3960	4350	4532
2750	Traffic White	1570	1598	1628	1691	1756	1789	2027	2205	2321	2450	2550	2682	2849	2967	3145	3533	3677	3970	4146
	Standard RAL	1815	1834	1884	1970	2051	2075	2325	2554	2672	2843	2952	3096	3255	3474	3651	4084	4236	4611	4784
3000	Traffic White	1730	1762	1821	1898	1945	2022	2209	2408	2533	2674	2831	3055	3170	3332	3462	3916	4029	4328	4520
	Standard RAL	2032	2108	2166	2238	2296	2376	2548	2820	2995	3143	3310	3621	3732	3962	4055	4591	4721	5074	5259



L Ribbed: The large horizontal rib of the panels provides both a stylish and contemporary aesthetic, making this design one of the most popular.



M Ribbed: Medium ribbed door panel sets are designed with a medium horizontal rib to provide the correct blend of aesthetic.



S Ribbed: Small ribbed panel offers a modern, yet timeless design. Small horizontal ribs positioned evenly through the panel.



Select-Line: Discounted price when purchased with the Premier-Line sectional door.

Select-Line 10 £282
Select-Line 12 £384



4 channel handset: Two supplied as standard with Select-Line automation.



Wireless Wall Switch: One supplied as standard with Select-Line automation

Woodgrain Texture Georgian

Premier-Line

The New Garage Door Standard

 JDST100 - Side Tensions Springs

 JDFM200 - Front Mount Springs

 JDRM100 Rear Mount - Please Add £96

	Finish	2080 6'10"	2134 7'0"	2285 7'6"	2435 8'0"	2591 8'6"	2743 9'0"	3048 10'0"	3353 11'0"	3657 12'0"	3962 13'0"	4267 14'0"	4420 14'6"	4572 15'0"	4724 15'6"	4877 16'0"	5000 17'0"
2000	Traffic White	1,441	1,445	1,455	1,465	1,500	1,559	1,647	1,788	1,931	2,071	2,178	2,290	2,357	2,471	2,508	2,739
	Standard RAL	1,655	1,659	1,670	1,682	1,724	1,790	1,892	2,055	2,220	2,379	2,502	2,631	2,708	2,839	2,882	3,149
2125	Traffic White	1,445	1,451	1,465	1,478	1,547	1,627	1,719	1,906	2,002	2,165	2,260	2,369	2,431	2,566	2,618	2,829
	Standard RAL	1,661	1,666	1,682	1,698	1,777	1,869	1,975	2,190	2,300	2,488	2,598	2,722	2,794	2,949	3,008	3,251
2250	Traffic White	1,467	1,476	1,490	1,516	1,625	1,712	1,873	2,041	2,176	2,308	2,467	2,555	2,645	2,763	2,808	2,982
	Standard RAL	1,684	1,696	1,711	1,741	1,867	1,967	2,151	2,345	2,502	2,653	2,835	2,937	3,039	3,175	3,227	3,427
2350	Traffic White	1,525	1,535	1,557	1,600	1,712	1,792	1,959	2,125	2,257	2,406	2,555	2,659	2,753	2,876	2,927	3388
	Standard RAL	1,753	1,765	1,788	1,837	1,966	2,059	2,249	2,441	2,594	2,764	2,936	3,057	3,165	3,306	3,364	3886
2500	Traffic White	1,620	1,629	1,698	1,743	1,871	1,927	2,104	2,271	2,394	2,545	2,655	2,784	2,884	3,006	3198	3632
	Standard RAL	1,860	1,873	1,950	2,002	2,149	2,214	2,418	2,610	2,751	2,925	3,051	3,200	3,316	3,455	3668	4167
2750	Traffic White	1,747	1,761	1,804	1,878	1,982	2,039	2,231	2,418	2,539	2,678	2,784	2,924	3100	3294	3459	3882
	Standard RAL	2,004	2,022	2,072	2,159	2,286	2,343	2,563	2,778	2,917	3,078	3,200	3,361	3555	3779	3969	4455
3000	Traffic White	1,931	1,998	2,041	2,098	2,155	2,220	2,427	2,643	2,765	2,914	3080	3384	3496	3757	3855	4316
	Standard RAL	2,218	2,294	2,345	2,410	2,476	2,549	2,788	3,037	3,176	3,349	3533	3882	4010	4308	4424	4951



Georgian: Cassette design provides a traditional look which is an alternative to our Ribbed variants.



High-Line: Two channel digital keypad
£148



High-Line: MyQ Gateway & Photocells
£260



High-Line: Discounted price when purchased with a Premier-Line sectional door.
High-Line 10 £360
High-Line 15 £448



4 channel handset: Two supplied as standard with High-Line automation.



Wireless Wall Switch: One supplied as standard with High-Line automation

Premier-Line

The New Garage Door Standard

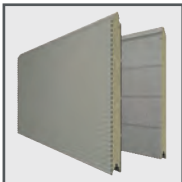
Smooth Texture Microwave

 JDST100 - Side Tensions Springs

 JDFM200 - Front Mount Springs

 JDRM100 Rear Mount - Please Add £96

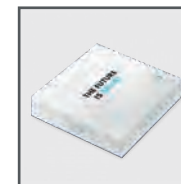
	Finish	2080 6'10	2134 7'0	2285 7'6	2435 8'0	2591 8'6	2743 9'0	3048 10'0	3353 11'0	3657 12'0	3962 13'0	4267 14'0	4420 14'6	4572 15'0	4724 15'6	4877 16'0	5182 17'0	5486 18'0	5791 19'0	6000 19'7
2000	Traffic White	1279	1287	1302	1328	1391	1421	1525	1667	1789	1927	2033	2134	2205	2310	2341	2457	2722	3095	3324
	Standard RAL	1472	1482	1498	1527	1600	1633	1752	1915	2054	2211	2333	2445	2528	2647	2684	2816	3115	3537	3795
2125	Traffic White	1287	1293	1318	1342	1405	1440	1600	1740	1862	1990	2085	2181	2260	2361	2404	2553	2764	3166	3405
	Standard RAL	1482	1487	1517	1545	1615	1657	1838	1998	2138	2282	2390	2500	2591	2705	2755	2926	3165	3617	3889
2250	Traffic White	1308	1316	1326	1362	1431	1474	1673	1840	1959	2041	2205	2297	2355	2445	2508	2692	3070	3351	3531
	Standard RAL	1505	1515	1526	1567	1645	1695	1921	2112	2248	2341	2528	2633	2700	2800	2873	3082	3505	3828	4031
2350	Traffic White	1366	1373	1431	1456	1501	1561	1769	1927	2053	2195	2335	2432	2520	2636	2684	3097	3180	3546	3653
	Standard RAL	1570	1578	1645	1675	1726	1793	2032	2211	2354	2516	2676	2786	2887	3021	3074	3537	3633	4049	4171
2500	Traffic White	1446	1460	1500	1551	1637	1699	1907	2067	2181	2325	2428	2554	2646	2763	2944	3354	3446	3779	3947
	Standard RAL	1663	1677	1752	1815	1898	1970	2189	2370	2500	2664	2796	2946	3052	3182	3385	3830	3960	4350	4532
2750	Traffic White	1570	1598	1628	1691	1756	1789	2027	2205	2321	2450	2550	2682	2849	2967	3145	3533	3677	3970	4146
	Standard RAL	1815	1834	1884	1970	2051	2075	2325	2554	2672	2843	2952	3096	3255	3474	3651	4084	4236	4611	4784
3000	Traffic White	1730	1762	1821	1898	1945	2022	2209	2408	2533	2674	2831	3055	3170	3332	3462	3916	4029	4328	4520
	Standard RAL	2032	2108	2166	2238	2296	2376	2548	2820	2995	3143	3310	3621	3732	3962	4055	4591	4721	5074	5259



Microwave: V pressed rib on the surface of the panels, providing style and elegance.



High-Line: Two channel digital keypad
£148



High-Line: MyQ Gateway & Photocells
£260



High-Line: Discounted price when purchased with a Premier-Line sectional door.
High-Line 10 £360
High-Line 15 £448



4 channel handset: Two supplied as standard with High-Line automation




Wireless Wall Switch: One Supplied as standard with High-Line automation

Smooth Texture L, M, S & T Ribbed

Premier-Line

The New Garage Door Standard

 JDST100 - Side Tensions Springs

 JDFM200 - Front Mount Springs

 JDRM100 Rear Mount - Please Add £96

	Finish	2080 6'10	2134 7'0	2285 7'6	2435 8'0	2591 8'6	2743 9'0	3048 10'0	3353 11'0	3657 12'0	3962 13'0	4267 14'0	4420 14'6	4572 15'0	4724 15'6	4877 16'0	5182 17'0	5486 18'0	5791 19'0	6000 19'7
2000	Traffic White	1,403	1,407	1,417	1,427	1,462	1,521	1,610	1,751	1,895	2,034	2,143	2,255	2,321	2,435	2,473	2,704	2,870	3,233	3,473
	Standard RAL	1,614	1,618	1,629	1,641	1,683	1,750	1,851	2,015	2,180	2,339	2,463	2,593	2,669	2,801	2,844	3,112	3,301	3,711	3,986
2125	Traffic White	1,407	1,413	1,427	1,441	1,510	1,590	1,682	1,869	1,966	2,129	2,225	2,333	2,396	2,531	2,583	2,795	2,988	3,345	3,626
	Standard RAL	1,620	1,625	1,641	1,657	1,736	1,828	1,934	2,150	2,260	2,449	2,559	2,683	2,755	2,911	2,970	3,214	3,436	3,839	4,163
2250	Traffic White	1,429	1,439	1,453	1,478	1,588	1,674	1,836	2,005	2,141	2,272	2,431	2,520	2,610	2,728	2,773	2,948	3,284	3,626	3,770
	Standard RAL	1,643	1,655	1,670	1,700	1,826	1,926	2,111	2,306	2,463	2,614	2,797	2,899	3,001	3,137	3,190	3,391	3,770	4,163	4,328
2350	Traffic White	1,488	1,498	1,519	1,563	1,675	1,755	1,922	2,089	2,222	2,370	2,520	2,624	2,718	2,842	2,893	3,355	3,434	3,847	3,955
	Standard RAL	1,712	1,724	1,747	1,797	1,926	2,019	2,209	2,402	2,555	2,726	2,898	3,019	3,127	3,269	3,327	3,850	3,943	4,416	4,540
2500	Traffic White	1,582	1,592	1,661	1,706	1,834	1,890	2,068	2,235	2,359	2,510	2,620	2,750	2,850	2,972	3,164	3,599	3,698	4,051	4,224
	Standard RAL	1,820	1,832	1,910	1,962	2,109	2,174	2,379	2,571	2,712	2,887	3,013	3,162	3,279	3,418	3,632	4,132	4,244	4,358	4,851
2750	Traffic White	1,710	1,724	1,767	1,842	1,946	2,003	2,196	2,383	2,504	2,644	2,750	2,889	3,066	3,261	3,426	3,850	4,018	4,314	4,479
	Standard RAL	1,964	1,981	2,032	2,119	2,247	2,304	2,524	2,740	2,879	3,040	3,162	3,324	3,518	3,743	3,933	4,421	4,613	4,955	5,144
3000	Traffic White	1,895	1,962	2,005	2,062	2,119	2,184	2,392	2,608	2,731	2,880	3,047	3,351	3,463	3,725	3,823	4,285	4,377	4,704	4,904
	Standard RAL	2,178	2,255	2,306	2,371	2,437	2,510	2,750	3,000	3,139	3,312	3,496	3,847	3,974	4,273	4,389	4,918	5,026	5,402	5,631



L Ribbed: The large horizontal rib of the panels provides both a stylish and contemporary aesthetic, making this design one of our most popular.



M Ribbed: Medium ribbed door panel sets are designed with a medium horizontal rib to provide the correct blend of aesthetic.



Select-Line automation - Discounted price when purchased with a Premier-Line sectional door.

Select-Line 10 £282
Select-Line 12 £384



S Ribbed: Small ribbed panel offers a modern, yet timeless design. Small horizontal ribs positioned evenly through the panel.



T Ribbed: Even spacing and invisible section transitions are expertly illustrated in the design of the Premier-Line T Ribbed panel.



4 channel handset: Two supplied as standard with Select-Line automation



Wireless Wall Switch: One supplied as standard with Select-Line automation

Premier-Line

The New Garage Door Standard

Design Texture L Ribbed

 JDST100 - Side Tensions Springs

 JDFM200 - Front Mount Springs

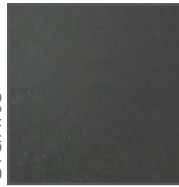
 JDRM100 Rear Mount - Please Add £96

	Finish	2080 6'10	2134 7'0	2285 7'6	2435 8'0	2591 8'6	2743 9'0	3048 10'0	3353 11'0	3657 12'0	3962 13'0	4267 14'0	4420 14'6	4572 15'0	4724 15'6	4877 16'0	5182 17'0	5486 18'0	5791 19'0	6000 19'7
2000	Design Texture	1,471	1,480	1,498	1,527	1,600	1,634	1,753	1,917	2,058	2,216	2,339	2,454	2,536	2,656	2,692	2,826	3,130	3,503	3,766
2125	Design Texture	1,480	1,487	1,516	1,543	1,616	1,656	1,840	2,001	2,141	2,288	2,397	2,508	2,599	2,715	2,764	2,936	3,179	3,584	3,859
2250	Design Texture	1,505	1,514	1,525	1,566	1,645	1,695	1,924	2,116	2,253	2,347	2,536	2,642	2,708	2,812	2,885	3,095	3,474	3,798	4,004
2350	Design Texture	1,570	1,579	1,645	1,675	1,727	1,795	2,035	2,216	2,361	2,524	2,685	2,796	2,898	3,032	3,086	3,506	3,601	4,021	4,145
2500	Design Texture	1,663	1,679	1,724	1,783	1,883	1,953	2,193	2,377	2,508	2,674	2,792	2,937	3,043	3,177	3,329	3,800	3,907	4,290	4,482
2750	Design Texture	1,806	1,838	1,872	1,944	2,019	2,058	2,332	2,536	2,669	2,817	2,933	3,084	3,220	3,356	3,560	4,006	4,172	4,509	4,711
3000	Design Texture	1,990	2,026	2,094	2,182	2,237	2,325	2,540	2,769	2,913	3,075	3,200	3,457	3,589	3,776	3,925	4,448	4,577	4,921	5,141

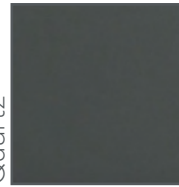


L Ribbed: The large ribbed design line is a selection of 5 unique textures.

Granite



Quartz



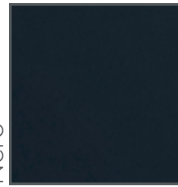
Corten



Antro



Nero



Select-Line: Discounted price when purchased with the Premier-Line sectional door.

Select-Line 10 £282
Select-Line 12 £384



4 channel handset: Two supplied as standard with Select-Line automation

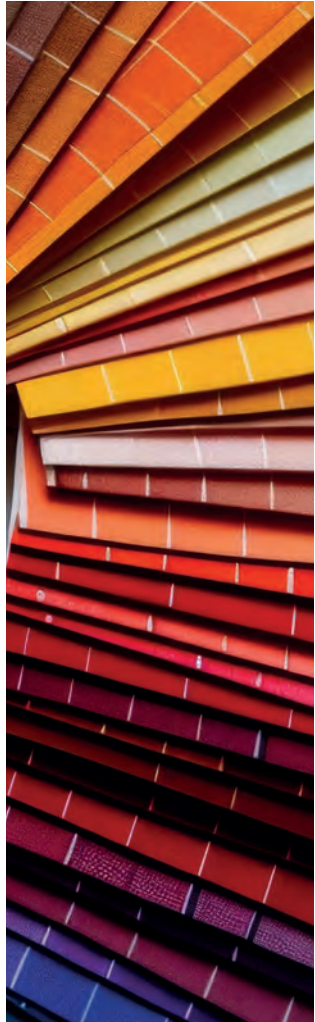



Wireless Wall Switch: One supplied as standard with Select-Line automation

45 matt fine textured standard RAL's available, which provides more UV-resistance, greater colour fastness, with a tough durable topcoat.

Standard powder coating available which includes any colour from the RAL classic palette, not including pearlescent or fluorescent colours, at the same price as standard RAL.

Non-RAL specialist colours. £124 M²

TRAFFIC WHITE RAL 9016	PURE WHITE RAL 9010	CREAM RAL 9001	GREY WHITE RAL 9002	WHITE ALUMINIUM RAL 9006	GREY ALUMINIUM RAL 9007	DB703	
AGATE GREY RAL 7038	STONE GREY RAL 7030	WINDOW GREY RAL 7040	LIGHT GREY RAL 7035	TRAFFIC GREY RAL 7042	DUSTY GREY RAL 7037	QUARTZ GREY RAL 7039	
IRON GREY RAL 7011	BASALT GREY RAL 7012	SLATE GREY RAL 7015	GRAPHITE GREY RAL 7024	ANTHRACITE GREY RAL 7016	BLACK GREY RAL 7021	UMBRA GREY RAL 7022	
BEIGE GREY RAL 7006	DAHLIA YELLOW RAL 1033	RED ORANGE RAL 2011	TRAFFIC RED RAL 3020	SIGNAL RED RAL 3001	CARMINE RED RAL 3002		
RUBY RED RAL 3003	PURPLE RED RAL 3004	WINE RED RAL 3005	SKY BLUE RAL 5015	AZURE BLUE RAL 5009	GENTIAN BLUE RAL 5010		
BLACK BLUE RAL 5004	STEEL BLUE RAL 5011	YELLOW GREEN RAL 6018	MOSS GREEN RAL 6005	FIR GREEN RAL 6009	MAHOGANY BROWN RAL 8016		
CHOCOLATE BROWN RAL 8017	SEPIA BROWN RAL 8014	BLACK BROWN RAL 8022	GREY BROWN RAL 8019	SIGNAL BLACK RAL 9004	JET BLACK RAL 9005		

COLOURS ARE FOR REFERENCE PURPOSES ONLY, PLEASE CONTACT YOUR DEALER TO REQUEST A SAMPLE

Wicket Doors

Wicket doors offer a practical solution for properties with no other access into the garage. They enable easy access without the need to open the entire garage door.

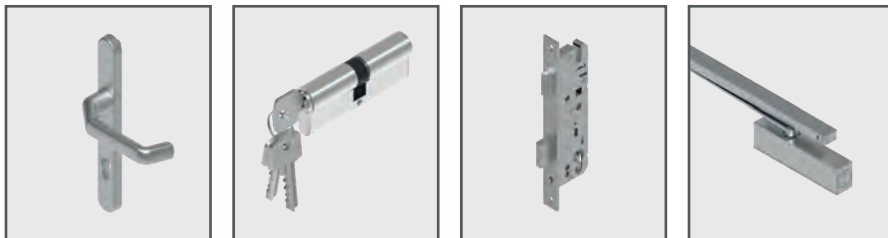
Sectional doors complete with wicket pass door are available for panel design L, M, S, T ribbed and Microwave. Georgian wicket pass doors are not available.

Minimum width of sectional door complete with wicket door = 1750mm.

The wicket door can be positioned on the left or right hand side, with a 300mm minimum distance to the vertical track.

The wicket door will be positioned in the center, for a sectional door width between 5000mm - 6000mm.

Wicket doors are supplied as standard with:



Premier-Line wicket doors are supplied with single point locking and a door closer as standard, ensuring safety and peace of mind, whether stepping out or stepping in, you can be assured that your belongings remain secure.

Wicket doors combine practicality, security and aesthetics, making them an excellent addition to a sectional garage door.





Colour Matched

Choose from the 45 matt fine textured powder coating colours to personalise your Premier-Line wicket door. special RAL are also available priced at standard RAL price.

The surround wicket door profile is supplied in RAL9016 or RAL9006 as standard for colour matched wicket profile, please add **£284**.

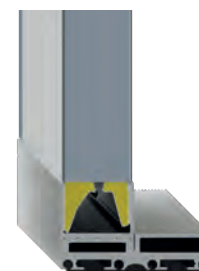
All Premier-Line wicket doors are manufactured and supplied as a complete door kit, to ensure an efficient installation. The wicket door kit includes the supply of the required electricals, excluding the operator.

25mm threshold supplied as standard:
No additional charge for the 40mm & 80mm
17/4mm threshold is additional **£136**

17/4 mm



25 mm



40 mm



80 mm



Premier-Line

The New Garage Door Standard

Wicket Doors Woodgrain Texture L, M & S Ribbed



JDFM200 - Front Mount Springs



JDRM100 Rear Mount - Please Add £96

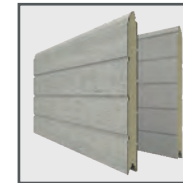
	Finish	2080 6'10"	2134 7'0"	2285 7'6"	2435 8'0"	2591 8'6"	2743 9'0"	3048 10'0"	3353 11'0"	3657 12'0"	3962 13'0"	4267 14'0"	4420 14'6"	4572 15'0"	4724 15'6"	4877 16'0"	5182 17'0"	5486 18'0"	5791 19'0"	6000 19'7"
2000	Traffic White	3,510	3,518	3,580	3,593	3,672	3,685	4,036	4,112	4,184	4,387	4,663	4,689	4,758	4,773	4,973	5,063	5,120	5,179	5,269
	Standard RAL	3,805	3,814	3,881	3,894	3,980	3,995	4,375	4,457	4,536	4,756	5,055	5,082	5,157	5,174	5,391	5,488	5,550	5,614	5,712
2125	Traffic White	3,542	3,566	3,615	3,624	3,703	3,716	4,083	4,162	4,238	4,443	4,727	4,750	4,825	4,853	5,043	5,136	5,194	5,259	5,329
	Standard RAL	3,840	3,865	3,918	3,928	4,014	4,028	4,426	4,512	4,594	4,817	5,124	5,149	5,230	5,261	5,467	5,567	5,630	5,701	5,777
2250	Traffic White	3,579	3,593	3,650	3,679	3,749	3,778	4,138	4,220	4,312	4,512	4,813	4,835	4,889	4,921	5,139	5,210	5,249	5,317	5,399
	Standard RAL	3,880	3,894	3,957	3,988	4,064	4,095	4,485	4,575	4,674	4,891	5,218	5,241	5,300	5,335	5,570	5,648	5,690	5,763	5,853
2350	Traffic White	3,616	3,648	3,678	3,704	3,779	3,807	4,185	4,271	4,354	4,557	4,864	4,897	4,951	4,987	5,194	5,251	5,296	5,372	5,457
	Standard RAL	3,920	3,955	3,987	4,015	4,097	4,127	4,537	4,629	4,720	4,940	5,273	5,308	5,367	5,406	5,631	5,692	5,741	5,824	5,915
2500	Traffic White	3,722	3,737	3,795	3,827	3,912	3,930	4,330	4,434	4,507	4,739	5,028	5,063	5,130	5,162	5,248	5,292	5,352	5,430	5,535
	Standard RAL	4,035	4,051	4,114	4,149	4,240	4,261	4,694	4,807	4,885	5,137	5,451	5,489	5,560	5,596	5,689	5,737	5,801	5,886	6,000
2750	Traffic White	3,805	3,827	3,891	3,928	4,007	4,031	4,451	4,571	4,648	4,893	5,194	5,230	5,267	5,302	5,352	5,372	5,414	5,502	5,706
	Standard RAL	4,124	4,149	4,218	4,258	4,343	4,370	4,824	4,954	5,039	5,304	5,630	5,670	5,710	5,748	5,801	5,824	5,868	5,964	6,185
3000	Traffic White	3,884	3,930	3,973	4,011	4,100	4,143	4,559	4,678	4,784	5,012	5,230	5,265	5,311	5,350	5,381	5,416	5,475	5,543	5,762
	Standard RAL	4,210	4,261	4,306	4,348	4,445	4,491	4,942	5,071	5,185	5,433	5,670	5,708	5,757	5,799	5,833	5,871	5,935	6,009	6,246



L Ribbed: The large horizontal rib of the panels provides both a stylish and contemporary aesthetic, making this design one of the most popular.



M Ribbed: Medium ribbed door panel sets are designed with a medium horizontal rib to provide the correct blend of aesthetic.



S Ribbed: Small ribbed panel offers a modern, yet timeless design. Small horizontal ribs positioned evenly through the panel.



Select-Line: Discounted price when purchased with the Premier-Line sectional door.

Select-Line 10 £282
Select-Line 12 £384



4 channel handset: Two supplied as standard with Select-Line automation.



Wireless Wall Switch: One supplied as standard with Select-Line automation

Wicket Doors Smooth Texture Microwave

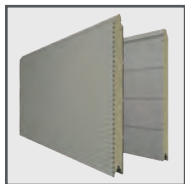
Premier-Line

The New Garage Door Standard

JDFM200 - Front Mount Springs

JDRM100 Rear Mount - Please Add £96

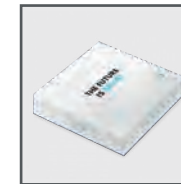
	Finish	2080 6'10"	2134 7'0"	2285 7'6"	2435 8'0"	2591 8'6"	2743 9'0"	3048 10'0"	3353 11'0"	3657 12'0"	3962 13'0"	4267 14'0"	4420 14'6"	4572 15'0"	4724 15'6"	4877 16'0"	5182 17'0"	5486 18'0"	5791 19'0"	6000 19'7"
2000	Traffic White	3,510	3,518	3,580	3,593	3,672	3,685	4,036	4,112	4,184	4,387	4,663	4,689	4,758	4,773	4,973	5,063	5,120	5,179	5,269
	Standard RAL	3,805	3,814	3,881	3,894	3,980	3,995	4,375	4,457	4,536	4,756	5,055	5,082	5,157	5,174	5,391	5,488	5,550	5,614	5,712
2125	Traffic White	3,542	3,566	3,615	3,624	3,703	3,716	4,083	4,162	4,238	4,443	4,727	4,750	4,825	4,853	5,043	5,136	5,194	5,259	5,329
	Standard RAL	3,840	3,865	3,918	3,928	4,014	4,028	4,426	4,512	4,594	4,817	5,124	5,149	5,230	5,261	5,467	5,567	5,630	5,701	5,777
2250	Traffic White	3,579	3,593	3,650	3,679	3,749	3,778	4,138	4,220	4,312	4,512	4,813	4,835	4,889	4,921	5,139	5,210	5,249	5,317	5,399
	Standard RAL	3,880	3,894	3,957	3,988	4,064	4,095	4,485	4,575	4,674	4,891	5,218	5,241	5,300	5,335	5,570	5,648	5,690	5,763	5,853
2350	Traffic White	3,616	3,648	3,678	3,704	3,779	3,807	4,185	4,271	4,354	4,557	4,864	4,897	4,951	4,987	5,194	5,251	5,296	5,372	5,457
	Standard RAL	3,920	3,955	3,987	4,015	4,097	4,127	4,537	4,629	4,720	4,940	5,273	5,308	5,367	5,406	5,631	5,692	5,741	5,824	5,915
2500	Traffic White	3,722	3,737	3,795	3,827	3,912	3,930	4,330	4,434	4,507	4,739	5,028	5,063	5,130	5,162	5,248	5,292	5,352	5,430	5,535
	Standard RAL	4,035	4,051	4,114	4,149	4,240	4,261	4,694	4,807	4,885	5,137	5,451	5,489	5,560	5,596	5,689	5,737	5,801	5,886	6,000
2750	Traffic White	3,805	3,827	3,891	3,928	4,007	4,031	4,451	4,571	4,648	4,893	5,194	5,230	5,267	5,302	5,352	5,372	5,414	5,502	5,706
	Standard RAL	4,124	4,149	4,218	4,258	4,343	4,370	4,824	4,954	5,039	5,304	5,630	5,670	5,710	5,748	5,801	5,824	5,868	5,964	6,185
3000	Traffic White	3,884	3,930	3,973	4,011	4,100	4,143	4,559	4,678	4,784	5,012	5,230	5,265	5,311	5,350	5,381	5,416	5,475	5,543	5,762
	Standard RAL	4,210	4,261	4,306	4,348	4,445	4,491	4,942	5,071	5,185	5,433	5,670	5,708	5,757	5,799	5,833	5,871	5,935	6,009	6,246



Microwave: V pressed rib on the surface of the panels, providing style and elegance.



High-Line: Two channel digital keypad
£148



High-Line: MyQ Gateway & Photocells
£260



High-Line: Discounted price when purchased with a Premier-Line sectional door.
High-Line 10 £360
High-Line 15 £448



4 channel handset: Two supplied as standard with High-Line automation.



Wireless Wall Switch: One supplied as standard with High-Line automation

Premier-Line

The New Garage Door Standard

Wicket Doors
Smooth Texture
L, M, S & T Ribbed

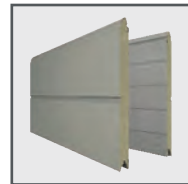
 JDFM200 - Front Mount Springs

 JDRM100 Rear Mount - Please Add £96

	Finish	2080 6'10	2134 7'0	2285 7'6	2435 8'0	2591 8'6	2743 9'0	3048 10'0	3353 11'0	3657 12'0	3962 13'0	4267 14'0	4420 14'6	4572 15'0	4724 15'6	4877 16'0	5182 17'0	5486 18'0	5791 19'0	6000 19'7
2000	Traffic White	3,861	3,870	3,938	3,952	4,039	4,054	4,440	4,523	4,603	4,826	5,130	5,157	5,234	5,250	5,470	5,569	5,632	5,697	5,796
	Standard RAL	4,170	4,180	4,253	4,268	4,362	4,378	4,795	4,885	4,971	5,212	5,540	5,570	5,652	5,670	5,908	6,015	6,083	6,152	6,260
2125	Traffic White	3,896	3,922	3,976	3,986	4,074	4,088	4,491	4,578	4,661	4,888	5,200	5,225	5,307	5,339	5,547	5,650	5,713	5,785	5,862
	Standard RAL	4,208	4,236	4,294	4,305	4,399	4,415	4,851	4,945	5,034	5,279	5,616	5,643	5,732	5,766	5,991	6,102	6,170	6,248	6,331
2250	Traffic White	3,937	3,952	4,015	4,047	4,124	4,156	4,551	4,642	4,743	4,963	5,295	5,318	5,378	5,413	5,652	5,731	5,774	5,849	5,939
	Standard RAL	4,252	4,268	4,336	4,371	4,454	4,488	4,916	5,014	5,123	5,360	5,718	5,744	5,808	5,847	6,105	6,190	6,236	6,316	6,414
2350	Traffic White	3,978	4,013	4,046	4,074	4,157	4,188	4,604	4,698	4,790	5,013	5,351	5,386	5,446	5,486	5,714	5,776	5,826	5,910	6,003
	Standard RAL	4,296	4,334	4,369	4,400	4,490	4,523	4,972	5,074	5,173	5,414	5,779	5,817	5,882	5,925	6,171	6,238	6,292	6,383	6,483
2500	Traffic White	4,094	4,111	4,175	4,210	4,303	4,324	4,763	4,878	4,957	5,213	5,531	5,570	5,643	5,679	5,773	5,821	5,887	5,973	6,089
	Standard RAL	4,422	4,439	4,509	4,547	4,647	4,669	5,144	5,268	5,354	5,630	5,974	6,015	6,094	6,133	6,234	6,287	6,358	6,451	6,576
2750	Traffic White	4,185	4,210	4,280	4,321	4,408	4,435	4,896	5,028	5,113	5,382	5,713	5,753	5,794	5,833	5,887	5,910	5,955	6,052	6,277
	Standard RAL	4,520	4,547	4,623	4,667	4,760	4,789	5,287	5,430	5,522	5,813	6,170	6,214	6,258	6,299	6,358	6,383	6,431	6,537	6,779
3000	Traffic White	4,273	4,324	4,370	4,412	4,511	4,557	5,015	5,146	5,262	5,513	5,753	5,792	5,842	5,885	5,919	5,957	6,023	6,098	6,338
	Standard RAL	4,614	4,669	4,720	4,765	4,871	4,921	5,416	5,558	5,683	5,954	6,214	6,255	6,309	6,356	6,392	6,434	6,505	6,586	6,845



L Ribbed: The large horizontal rib of the panels provides both a stylish and contemporary aesthetic, making this design one of our most popular.



M Ribbed: Medium ribbed door panel sets are designed with a medium horizontal rib to provide the correct blend of aesthetic.



Select-Line automation: Discounted price when purchased with a Premier-Line sectional door.

Select-Line 10 £282
Select-Line 12 £384



S Ribbed: Small ribbed panel offers a modern, yet timeless design. Small horizontal ribs are positioned evenly through the panel.



T Ribbed: Even spacing and invisible section transitions are expertly illustrated in the design of the Premier-Line T Ribbed panel



4 channel handset: Two supplied as standard with Select-Line automation



Wire Wall Switch: One supplied as standard with Select-Line automation

Wicket Doors Design Texture L Ribbed

Premier-Line

The New Garage Door Standard

 JDFM200 - Front Mount Springs

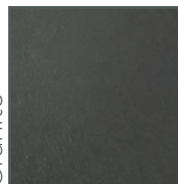
 JDRM100 Rear Mount - Please Add £96

	Finish	2080 6'10"	2134 7'0"	2285 7'6"	2435 8'0"	2591 8'6"	2743 9'0"	3048 10'0"	3353 11'0"	3657 12'0"	3962 13'0"	4267 14'0"	4420 14'6"	4572 15'0"	4724 15'6"	4877 16'0"	5182 17'0"	5486 18'0"	5791 19'0"	6000 19'7"
2000	Design Texture	4,129	4,139	4,211	4,226	4,319	4,335	4,747	4,837	4,922	5,160	5,485	5,515	5,596	5,614	5,849	5,955	6,023	6,092	6,198
2125	Design Texture	4,166	4,194	4,252	4,262	4,356	4,371	4,803	4,896	4,984	5,227	5,560	5,588	5,675	5,709	5,932	6,041	6,109	6,186	6,268
2250	Design Texture	4,210	4,226	4,294	4,328	4,410	4,444	4,867	4,964	5,072	5,307	5,662	5,687	5,751	5,789	6,044	6,128	6,174	6,254	6,351
2350	Design Texture	4,254	4,291	4,326	4,357	4,446	4,478	4,923	5,023	5,122	5,360	5,721	5,760	5,823	5,866	6,110	6,176	6,230	6,319	6,419
2500	Design Texture	4,378	4,395	4,464	4,502	4,601	4,623	5,093	5,216	5,301	5,574	5,915	5,956	6,034	6,072	6,173	6,225	6,295	6,387	6,511
2750	Design Texture	4,475	4,502	4,577	4,621	4,713	4,742	5,235	5,376	5,468	5,755	6,109	6,152	6,196	6,237	6,295	6,319	6,368	6,472	6,712
3000	Design Texture	4,569	4,623	4,673	4,718	4,823	4,873	5,362	5,503	5,627	5,895	6,152	6,193	6,247	6,293	6,329	6,370	6,440	6,520	6,777

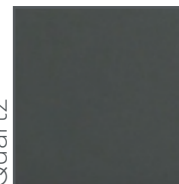


L Ribbed: The large ribbed design line is a selection of 5 unique textures.

Granite



Quartz



Corten



Antro



Nero



High-Line: Discounted price when purchased with a Premier-Line sectional door.

High-Line 10 £360
High-Line 15 £448



4 channel handset: Two supplied as standard with High-Line automation.



Wireless Wall Switch: One supplied as standard with High-Line automation

Fantastic window and vent options available from acrylic framed units to stainless steel, with the option of clear or opaque glazing. To enhance the overall appearance of your sectional garage door, the acrylic frames can be colour matched to the door leaf.

When it comes to the number of windows and their configuration in the door, we offer a number of options depending on the width and height of your door. You can choose horizontal positioning, or be creative and choose for vertical or diagonal positioned windows.



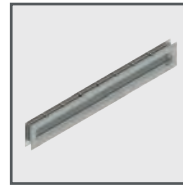
Rectangular acrylic window, clear or smooth opaque glazing, finished in any standard RAL.
488mm x 325mm
£142



Wide narrow acrylic window, clear glazing only finished in black only.
609mm x 146mm
£154



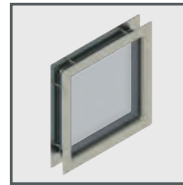
Rectangular acrylic georgian cross window, clear or smooth opaque glazing, finished in any standard RAL.
488mm x 325mm
£172



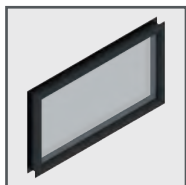
Wide narrow stainless steel window, clear or smooth opaque glazing,
980mm x 140mm
£372



Rectangular curved acrylic window, clear glazing only finished in black only.
663mm x 343mm
£136



Stainless steel square window, clear or smooth opaque glazing.
310mm x 310mm
£494



Large rectangular acrylic window, clear glazing only finished in black only.
680mm x 373mm.
£136



Stainless steel porthole window, clear or smooth opaque glazing.
Diameter 330mm.
£494

The panoramic panel is a fully glazed aluminium section, it is double glazed acrylic providing your garage door a unique appearance allowing plenty of daylight into your garage. The panoramic section is anodised aluminium as standard and can be powder coated in any standard RAL.

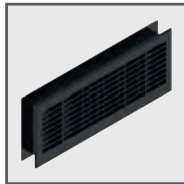


Panoramic glazing is available with a variable height of panel. Minimum height of the panel is 500mm with a maximum height of 700mm.
Standard double glazed acrylic **£126 per metre.**
Scratch resistant double glazed acrylic **£142 per metre.**

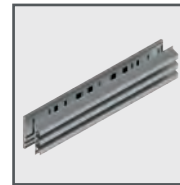
Ventilation grilles can be included in your garage door to provide extra ventilation in your garage. The grilles are fitted standard in the bottom section, spaced over the width of the panel.



Moulded ventilation grill, fixed position, available in any standard RAL.
450mm x 90mm
£76 Per Unit



Moulded ventilation grill, adjustable, available in any standard RAL.
344mm x 138mm
£98 Per Unit



Aluminium ventilation grill, fixed position, available in any standard RAL.
500mm x 100mm
£176 Per Unit



Aluminium ventilation grill, adjustable, available in any standard RAL.
325mm x 65mm
£176 Per Unit

Powder Coated Tracks & Hardware

Available as an added piece of aesthetic luxury, Premier-Line options ensure the perfect match with the inside colour of your design. As an optional extra we can powder coat and colour match the tracks, using the unique IGP-Powder Coating System.

In addition to the coated tracks, you can choose to have the hardware finished in white. The coating for both tracks and hardware helps protect the metal components from corrosion caused by damp and extreme weather, whilst also being easier to clean without damaging the colour coating.



Powder coated hardware available in white only, Please add £54



Powder coated track system available in standard and special RAL, please add £588



PREMIUM POWDER COATING



APPROVED COATER

APPROVED APPLICATOR

PREMIUM

IGP-POWDER COATING SYSTEMS

AL 631-5 CERTIFIED



VOC ZERO EMISSION

ALUMINIUM

STEEL

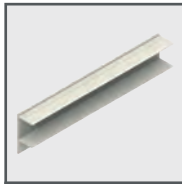
Premier-Line

The New Garage Door Standard

Optional Upgrades



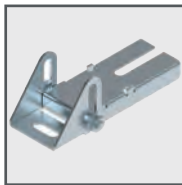
90mm Cover Profiles: Aluminium profile, strong, rigid and perfect for cladding the door frame. Two options available, to purchase with or without the 3M tape. 3M Tape £7.50 Per Mtr.



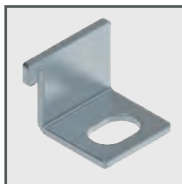
Aluminium Mounting Frame: A strong versatile frame, a great solution for doors being installed between the aperture. 2 types of frame available, both provide a great foundation for the sectional door.



Renovation Frame: Designed specifically to edge and tidy the angle of the piers. **Standard Frame** - A strong and rigid frame which can be positioned anywhere within the aperture.



In-between fixing brackets: Pre-assembled to the vertical tracks. £92



Profile Bracket: Bracket for fixing of the header/profile on installations between and under the lintel, supplied with the profile kit.



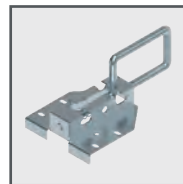
Top operator bracket: Bracket for supporting and fixing the operator to the top of the back bar, please add £28

90MM VERTICAL & HEADER PROFILES								
WIDTH - UP TO	2500	3000	3500	4000	4500	5000	5500	6000
RAL 9016 & 7016	£90	£96	£102	£108	£114	£120	£126	£132
ANY OTHER COLOUR	£146	£156	£166	£176	£185	£195	£205	£215

ALUMINIUM MOUNTING FRAMES								
WIDTH UP TO	2500	3000	3500	4000	4500	5000	5500	6000
STD FRAME RAL 9016 & 7016	£371	£399	£426	£454	£481	£509	£536	£564
STD FRAME ANY OTHER COLOUR	£504	£540	£576	£612	£648	£684	£720	£756
RENOVATION RAL9016, 7016 & 9005	£448	£480	£512	£544	£576	£608	£640	£672
RENOVATION ANY OTHER COLOUR	£609	£653	£696	£740	£783	£827	£870	£914



Manual Locking System: Locking positioned centrally, locking in the left and right hand side for added security. Black or brushed aluminium handle available, please add £364



Optional Shoot Bolt: Shoot bolt available for extra security, which can be positioned internally on the left or right hand side, please add £16



Track Spring Covers: Providing added finger protection and improving the internal aesthetics, please add £52

DELIVERY TIMES

Made to measure doors
4-5weeks
Any door for UK modification.
6-7 weeks

DELIVERY CHARGES:

Delivery to designated dealers delivery address (England and North & South Wales) F.O.C
Delivery to any other address (single doors - up-to 10') £148.00
Delivery to any other address (double doors - over 10') £170.00
Scotland, Northern Ireland, Mid Wales & Islands P.O.A

Select-Line

The New Standard In Automation

Select-Line Automation Options

Select-Line 10 - List Price £396
Only £282 when purchased
with a Premier-Line door.
Suitable for doors up to 10M²

Select-Line 12 - List Price £512
Only £336 when purchased
with a Premier-Line door.
Suitable for doors up to 12M²



Select-Line - Rail Options

Standard rail length for doors up to 2125 high.
Extended rail for door heights up to 2320, please add £26
Extended rail for door heights up to 3000, please add £42

Select-Line automation is supplied with a wireless wall switch and two hand-held transmitters, allowing you to simply open and close your garage door with ease, as you approach your home.



Select-Line
Head Unit



Two,
4 channel
handsets
supplied as
standard



One,
3 channel
wall switch
supplied as
standard

Select-Line Automation Accessories



Additional
4 channel
Handset
£48



External
Receiver
£52



2 channel
Sun Visor
Handset
£32



Additional
3 channel
Wall Switch
£52



2 channel
Digital
Keypad
£98



External key
release,
supplied
with 2 keys
£28



High-Line Automation Options

High-Line 10 - List Price £502
 Only £398 when purchased
 with a Premier-Line door.
 Suitable for doors up to 10M²

High-Line 18 - List Price £674
 Only £572 when purchased
 with a Premier-Line door.
 Suitable for doors up to 18M²



High-Line - Rail Options

Standard rail length for doors up to 2125 high.
 Extended rail for door heights up to 2918, please add £28.
 Extended rail for door heights up to 3250, please add £48.

High-Line automation is supplied with a wireless wall switch to provide remote control from inside your garage. Two hand-held transmitters are also included. The smart pack for MyQ connectivity is an optional upgrade.



High-Line
Head Unit



Two,
4 channel
handsets
supplied as
standard



One,
3 channel
wall switch
supplied as
standard

High-Line Automation Accessories



Additional
4 channel
Handset
£56



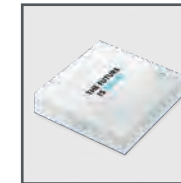
2 channel
digital
keypad
£148



Sun Visor
Clip
£24



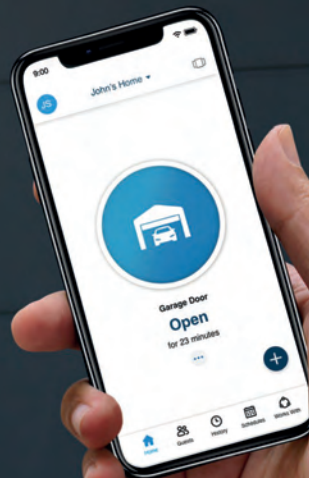
Additional
3 channel
Wall Switch
£85



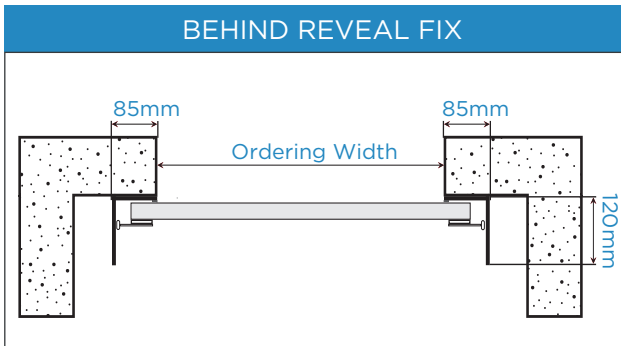
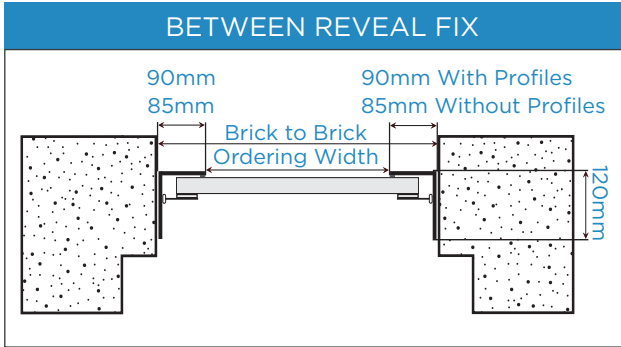
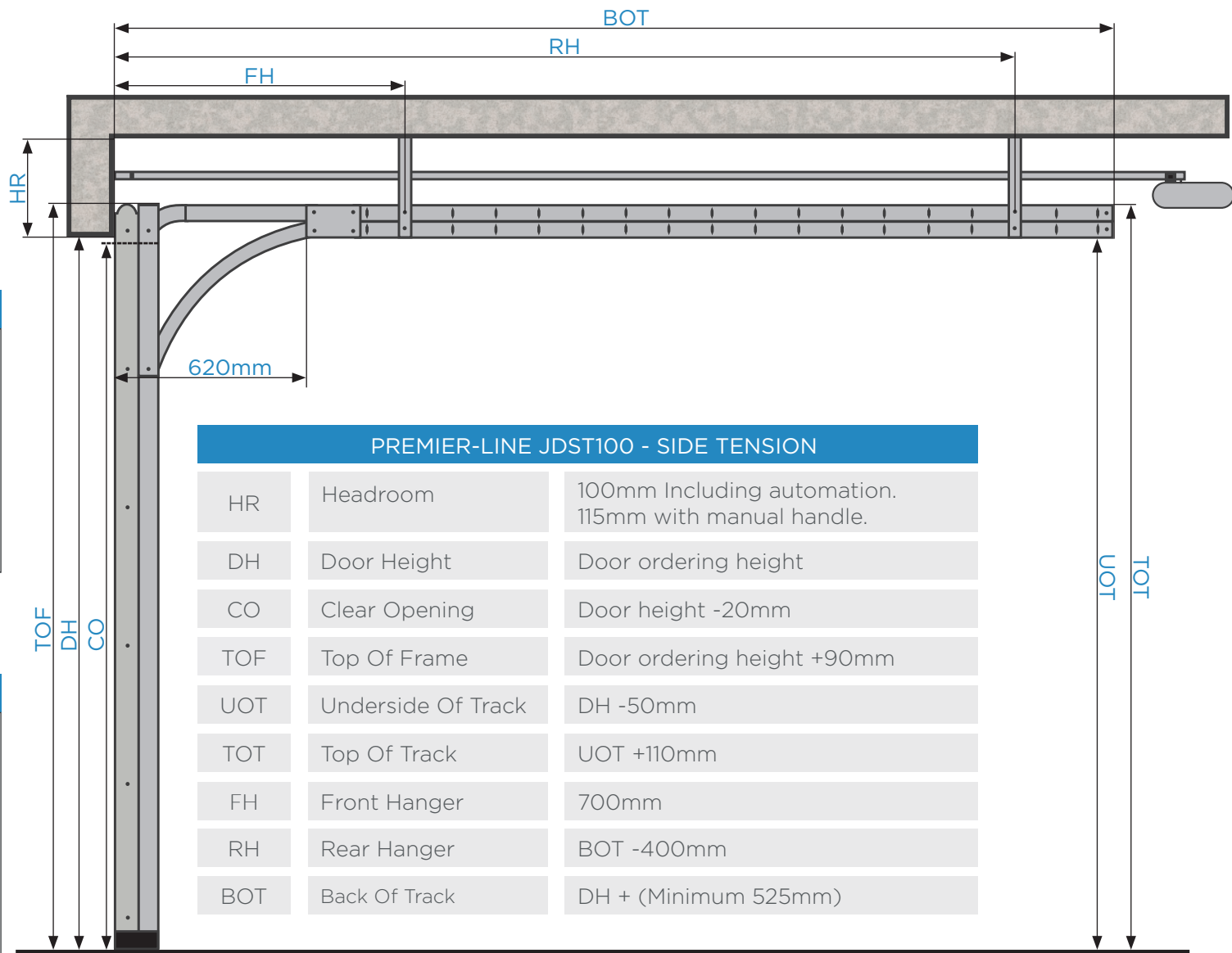
MyQ
Gateway &
Photocells
£260



External
Receiver
£112



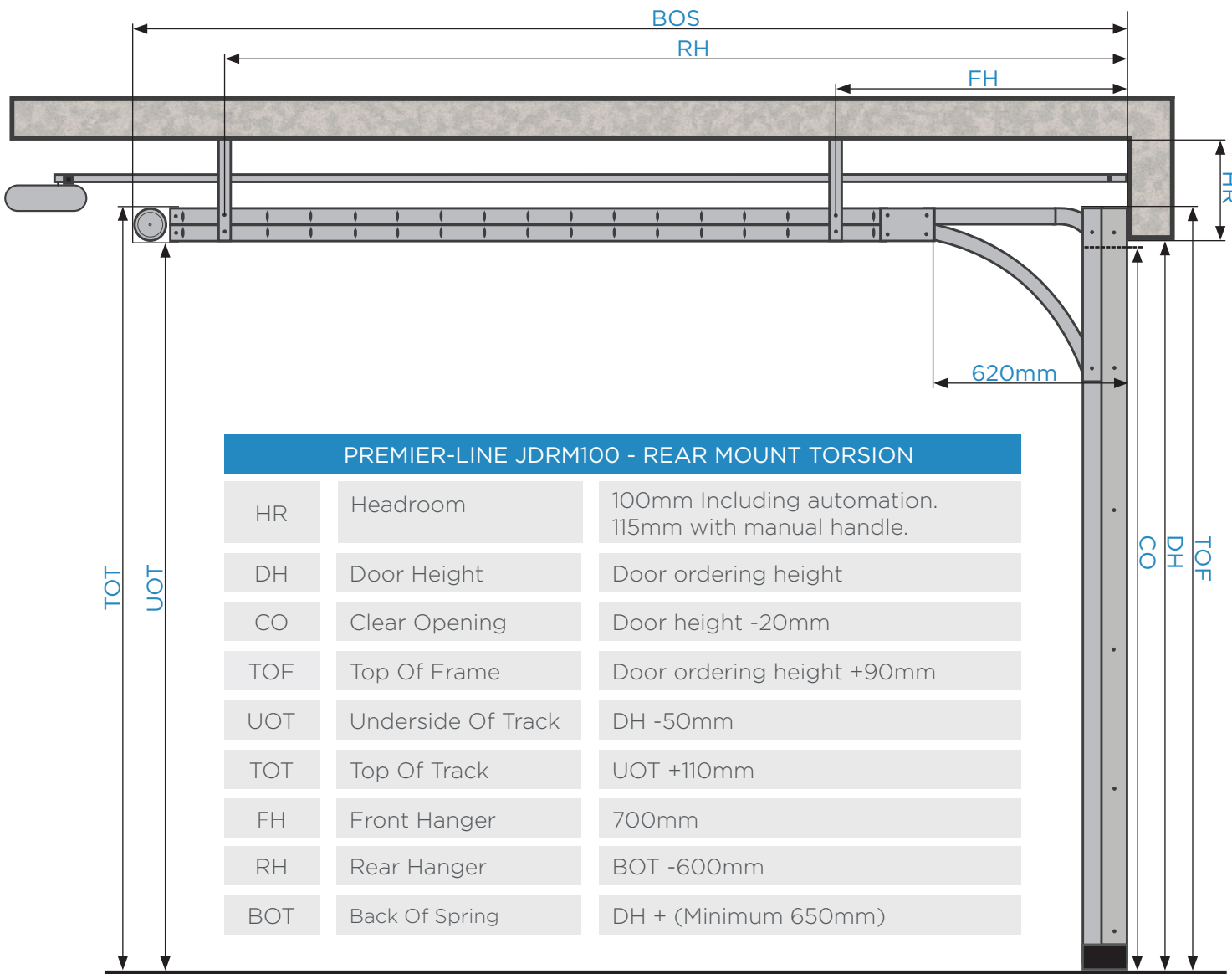
Track Systems JDST100 Side Tension



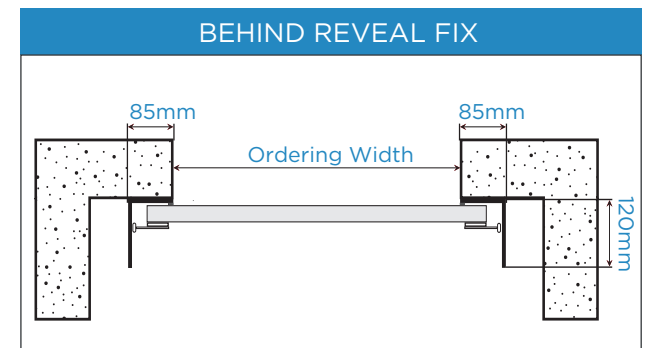
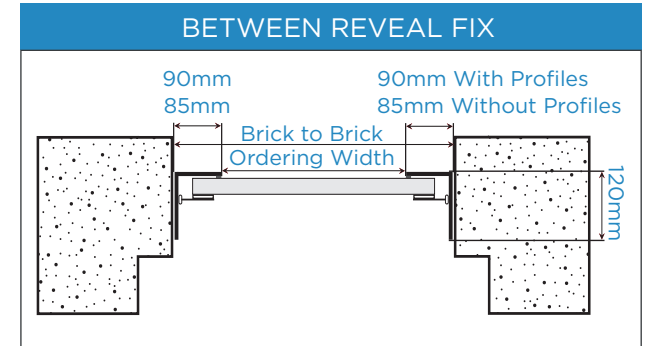
JDST100 - BACK OF TRACK mm

DOOR HEIGHT	1875 - <2000	2000 - <2125	2125 - <2250	2250 - <2375	2375 - <2500	2500 - <2625	2625 - <2750	2750 - 3000
BOT	2770	2895	3020	3145	3270	3395	3645	3520

Track Systems JDRM100 Rear Mount Torsion



PREMIER-LINE JDRM100 - REAR MOUNT TORSION		
HR	Headroom	100mm Including automation. 115mm with manual handle.
DH	Door Height	Door ordering height
CO	Clear Opening	Door height -20mm
TOF	Top Of Frame	Door ordering height +90mm
UOT	Underside Of Track	DH -50mm
TOT	Top Of Track	UOT +110mm
FH	Front Hanger	700mm
RH	Rear Hanger	BOT -600mm
BOT	Back Of Spring	DH + (Minimum 650mm)



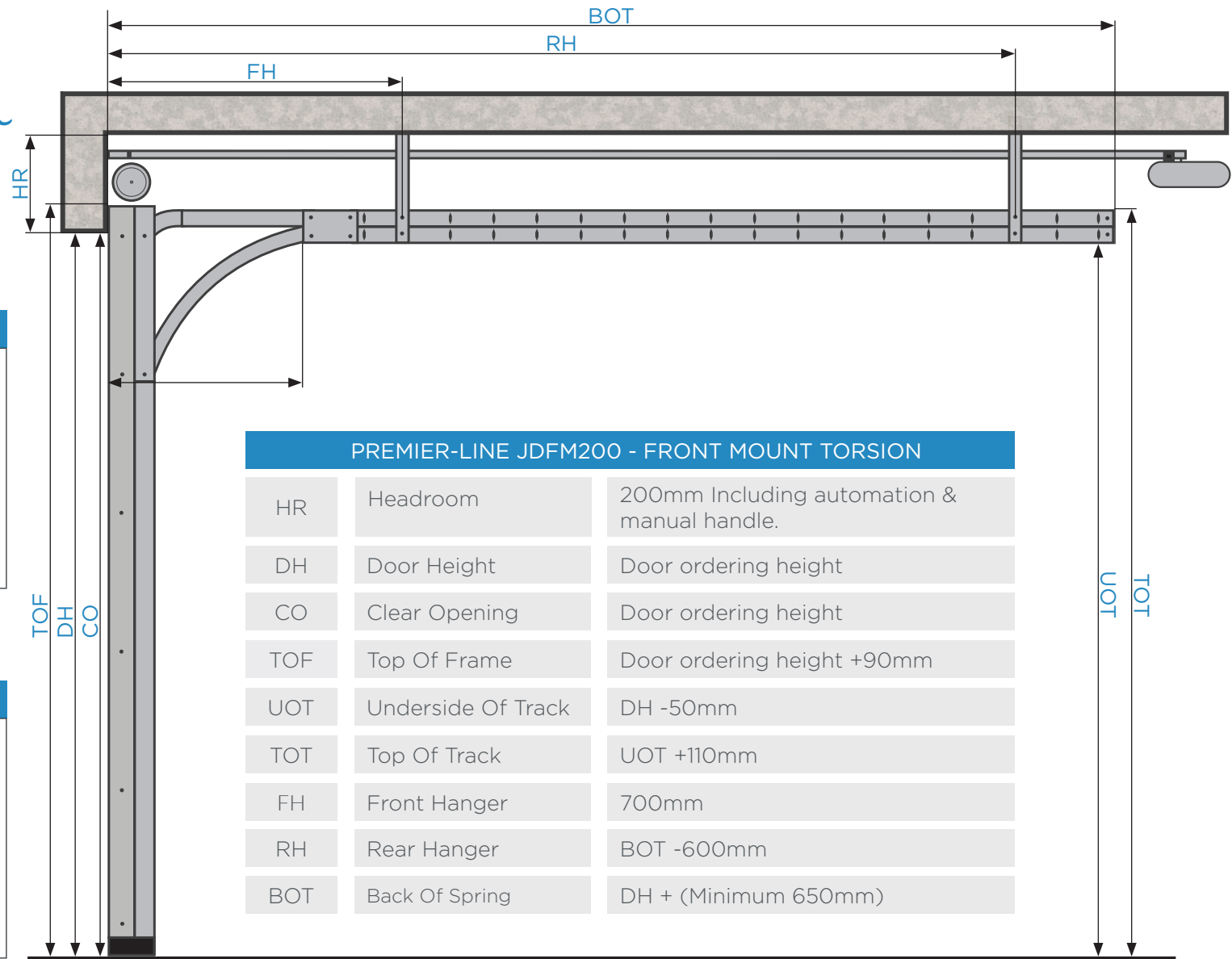
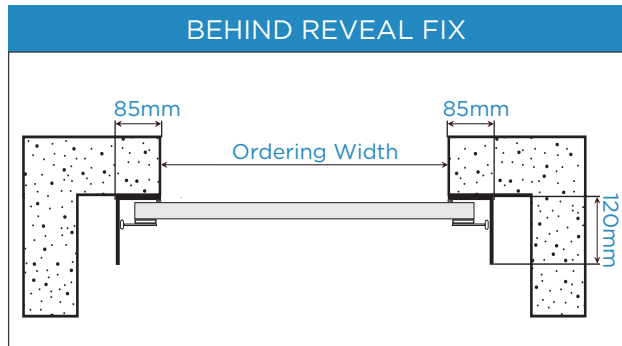
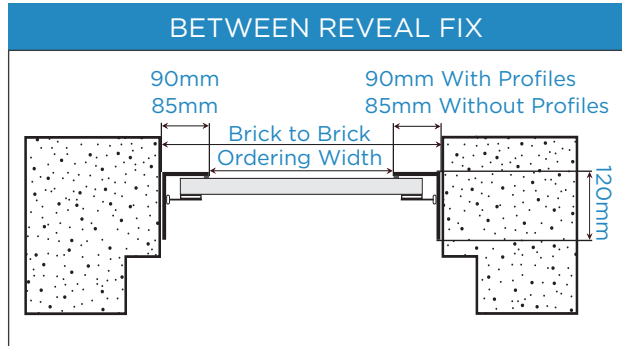
JDRM100 - BACK OF SPRINGS mm

DOOR HEGHT	1875 - <2000	2000 - <2125	2125 - <2250	2250 - <2375	2375 - <2500	2500 - <2625	2625 - <2750	2750 - 3000
BOT	2770	2895	3020	3145	3270	3395	3645	3520

Track Systems

JDFM200

Front Mount Torsion

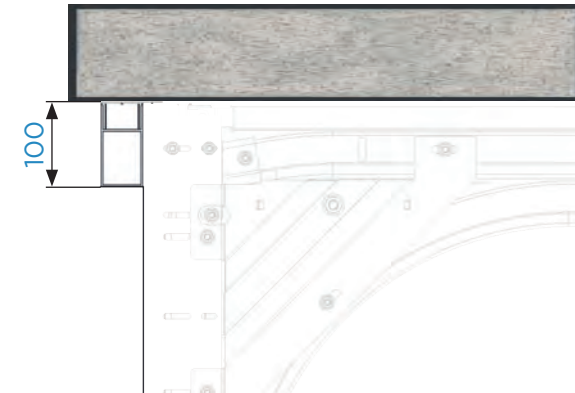
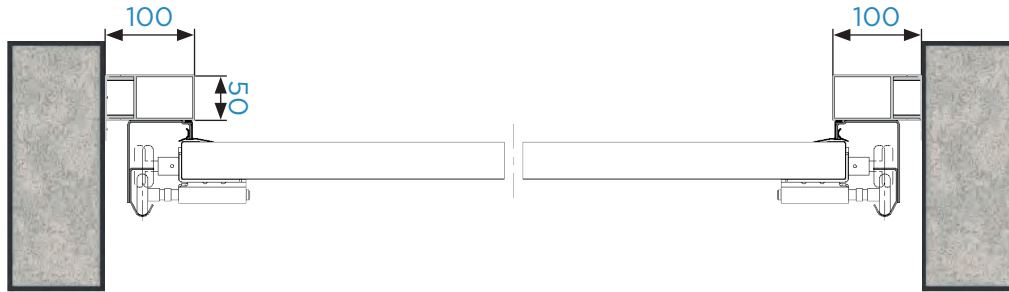


PREMIER-LINE JDFM200 - FRONT MOUNT TORSION		
HR	Headroom	200mm Including automation & manual handle.
DH	Door Height	Door ordering height
CO	Clear Opening	Door ordering height
TOF	Top Of Frame	Door ordering height + 90mm
UOT	Underside Of Track	DH - 50mm
TOT	Top Of Track	UOT + 110mm
FH	Front Hanger	700mm
RH	Rear Hanger	BOT - 600mm
BOT	Back Of Spring	DH + (Minimum 650mm)

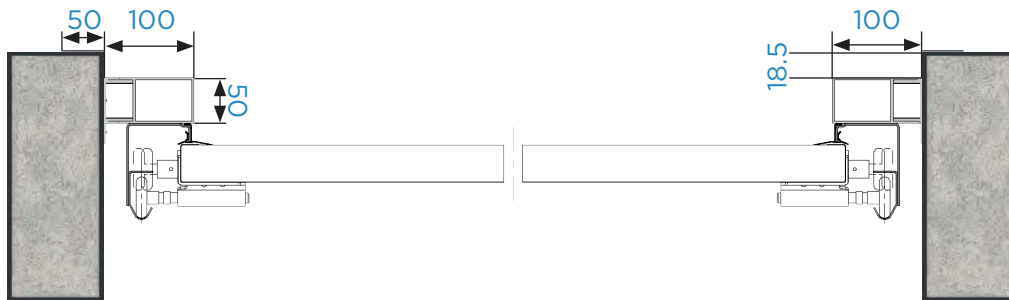
JDFM200 - BACK OF TRACK mm								
DOOR HEIGHT	1875 - <2000	2000 - <2125	2125 - <2250	2250 - <2375	2375 - <2500	2500 - <2625	2625 - <2750	2750 - 3000
BOT	2625	2750	2875	3000	3125	3250	3375	3500

Aluminium Mounting Frame

Standard aluminium mounting frame allowing flexibility in the positioning of the sectional door between the aperture



Aluminium mounting frame used to renovate the piers, which has to be located in a fixed position between the aperture



Information from DHF consumer advice;

The following information was designed by the Association of Garage Door Specialists, updated by the DHF and endorsed by all major UK garage door manufacturers, as a guide for purchasers of domestic garage doors.

A new garage door can be a significant investment that will transform the appearance of your home. This information is a guide to the quality you can expect.

The Quality Check:-

The quality check should be carried out in natural daylight, not direct sunlight. Stand at a distance of 3 metres from the door to view the overall appearance. The door is acceptable if, taking into account the facts below, none of the following are readily visible on the face of the door:

- Marks or distortion associated with the manufacturing process;
- Minor indentations, marks or scuffs on the surface;
- Paint or stain blemishes;

Steel Doors:-

Panel Distortion The rolling or pressing of steel panels during manufacture will cause distortion in the steel and while every effort is made to keep this to a minimum, inevitably some visible distortion will remain. The application of high gloss paints will make this slight distortion more apparent, especially under certain lighting conditions, such as car headlamps, or bright sunshine.

Paint Finish Primed doors - The primer coating is applied as a base coat only and as such requires additional finishing with a good quality exterior paint. Any marks or scratches on the primer coat should be rubbed down and repainted as part of this finishing process. Fully finished doors - the factory application of the paint finish is an automated process and this may result in minor blemishes or slight inconsistencies in the paint, particularly in the area of panel joints.

All Doors:-

Colour match Pairs of doors should be ordered together to obtain the best colour match, bearing in mind the limitations of the materials used in construction.

Size variations As the size of a door changes in height and/or width, the panel frequency and profile can change, therefore doors of the same style but of different sizes can be significantly different in appearance.

Clearances All doors require operating clearances, ie the gap around the door panel or curtain. These are inbuilt during manufacture and should not be reduced by means of infills or draughtproofing.

Deflection When in the open position, all doors will display a level of vertical deflection or 'sag' across the width of the panel. Individual manufacturer's specifications should be consulted for exact tolerances.



Warranty Terms:

Premier-Line, Select-Line and High-Line products are manufactured to the highest quality standard. In the unlikely event of a warranty claim deemed necessary, please contact the trade dealer, installer or distributor who supplied the product.

To enable a claim to be efficiently processed with no delay you should provide the following information:

- Name, address and contact telephone number.
- Proof of purchase and date of purchase, along with registration details.
- Product type, along with the product identification label.
- Description of the defect.

The dealer should then provide details of the claim, together with the registration certificate provided with the product and proof of purchase to JDUK Door Systems. An assessment of the claim will take place which could mean JDUK Door Systems may need to come and inspect the product/products in-situ. In the event that there is no legitimate claim under the warranty terms specified you may be liable for the costs of the visit. It is essential that you take note of the care and usage instructions provided with the door and that the instructions are followed throughout the lifetime of the product.

Warranty requirements:-

- The installation is to be performed by qualified personnel authorised by the Manufacturer or an official representative of the Manufacturer in compliance with the installation guide, information about the organisation that performed the installation, is to be specified in the registration certificate;
- The rules of operation and maintenance of the product specified in the operating manual are to be observed;
- Service maintenance is to be scheduled annually to the maintenance regulation and conducted respectively. Each planned service, maintenance activity should be logged in the Warranty card.
- Warranty repairs are carried out only when the original registration certificate is available;

Warranty periods:-

- 10 year warranty from the date of purchase covering the safe and reliable operation of the product;
- 10 year warranty covering perforating corrosion of sectional door panels, rust penetration from inside to out.
- 5 year warranty for doors in general and their separate elements, such as cables, roller brackets, rollers, torsion shaft assemblies, sealing inserts and other elements of the door product.
- 5 year warranty from the date of purchase covering colour fade and colour deterioration for Premium powder coated fine matt texture colours.
- 5 year warranty for both the Select-Line and High-Line automation, which includes the motor; 2 year warranty on radio equipment and accessories, there is no warranty on consumables (e.g. fuses, batteries, bulbs etc).

Warranty does not cover:-

- Mechanical damage due to improper transport or door installation;
- When the faults or defects are caused by external influence (fire, water, salts, acids, alkalis, mortars and sealants, force majeure and abnormal weather conditions);
- Swarf filings or other airborne particles, rusting or staining the panel which are not considered as corrosion are not covered.
- Normal wear and tear;
- Colour fade and colour deterioration for standard painted door panels;
- Doors installed within 500 meters from the coastline are excluded from the corrosion warranty;
- Unauthorized changes to the product or product design;
- Improper operation;
- When components not recommended by the Manufacturer are used for installation or repair;
- If the product number has been removed or changed;
- If the original registration certificate is not available or has been incorrectly filled out;
- If the fault is due to improper repair or service;
- Faults which are the result of failing to comply with the installation manual;
- In case of failing to operate the product in accordance with its intended purpose (e.g., when installing the garage doors in the industrial premises; when installing the door in regions with high humidity and/or corrosive environment);
- Continuous operation of a defective product;

Steel door panels:-

Minor scratches and scuffs are not covered under warranty and should be repaired immediately, to prevent corrosion and deterioration of the door panel, corrosive substances such as acids, alkalines, salts, mortars etc should be cleaned from the door panels immediately to eliminate deterioration of the finish.



📍 Low Mill Lane, Havelock Street, Ravensthorpe
Industrial Estate, Dewsbury. WF13 3LN

☎️ 01924 472 924 🌐 www.jdukLtd.co.uk

✉️ sales@jdukLtd.co.uk



FOLLOW US

f 📷 ✂️ in ▶️

